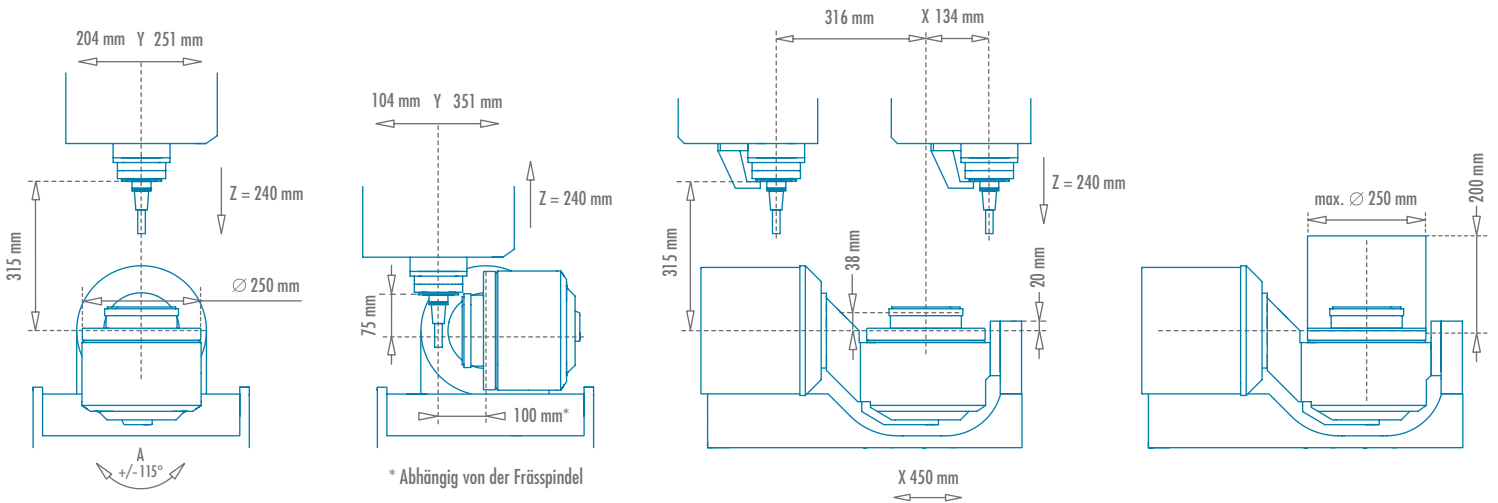


Version with Erowa Power Chuck P



Stroke position  
RXP500DS

Subject to change  
Revision 19/05