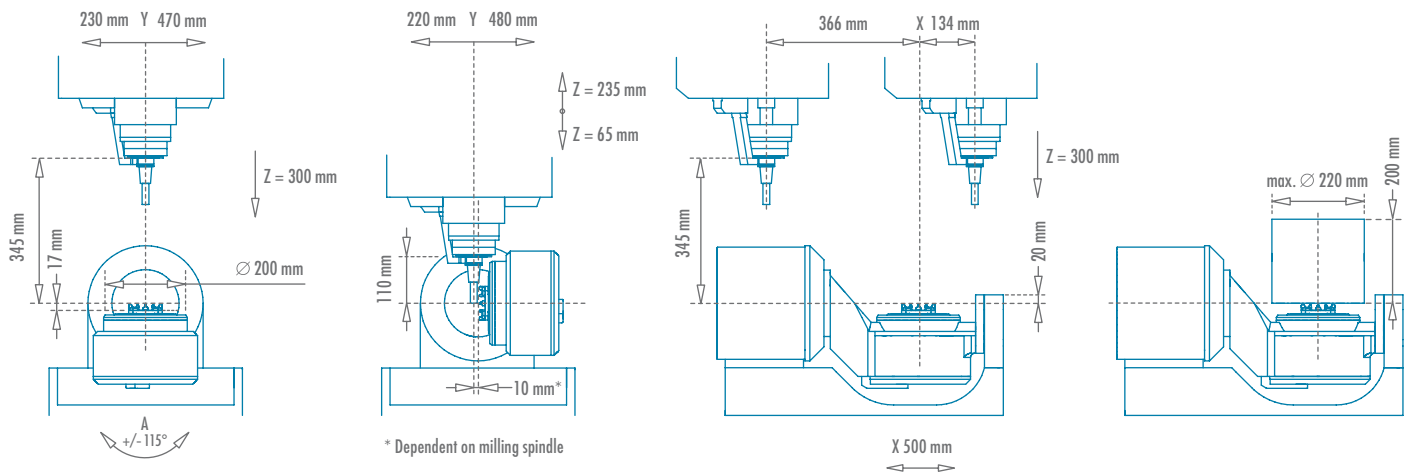


Version with Erowa NSF Chuck



Stroke position
RXP501 DSC

Subject to change
Revision 19/05